

Note: All components should be secured with approved concrete adhesive.

1 First Course

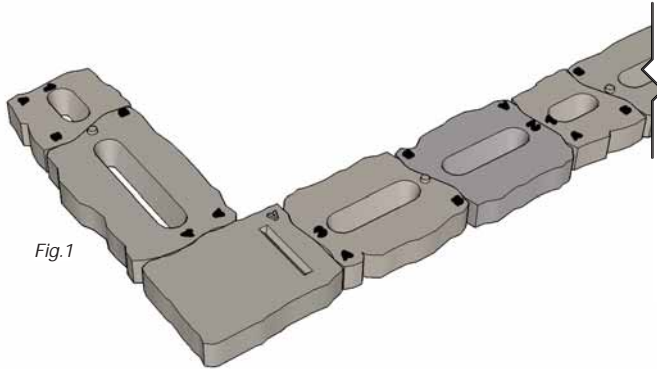


Fig.1

When constructing corners, abut the Long Corner unit with a Standard unit Side A.

2 Second Course

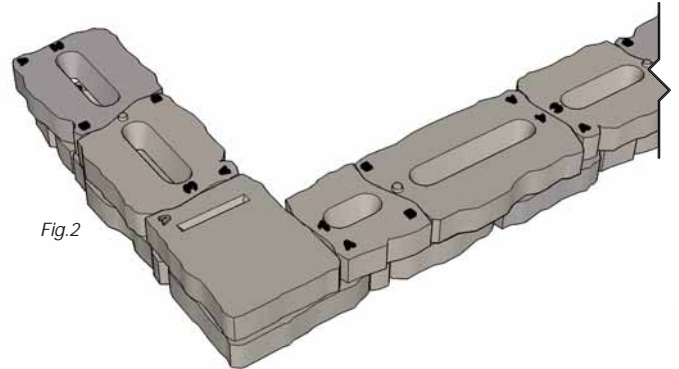


Fig.2

For the next course alternate the corner unit direction to automatically change the bond pattern. Continue to build the corner repeating Steps 1-2 or incorporate Step 3.

3 Coping as a Corner

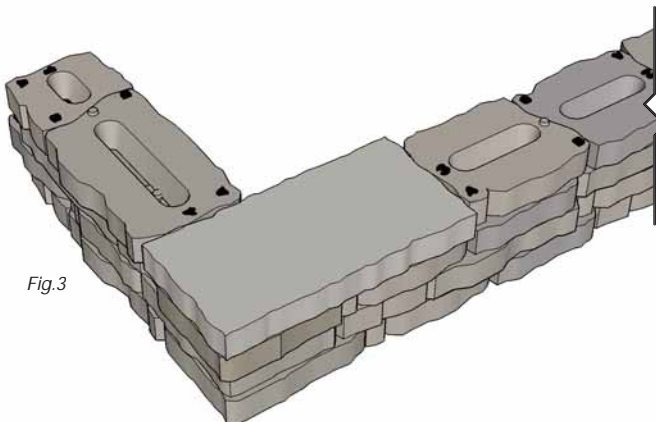


Fig.3

Coping units or short corner units may also be integrated into the corner to enhance the appearance and add stability. When constructing a seat wall, centre align the coping unit with the unit below; it will protrude slightly but add to the rustic appearance of the wall. In retaining walls the coping unit maybe set back into the reinforcement zone, so that the front & side are flush with the rest of the corner. Simply remove the alignment knob with a chisel if there is a conflict.

